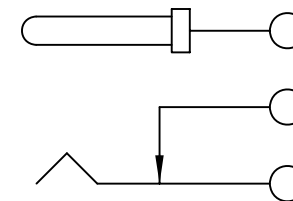
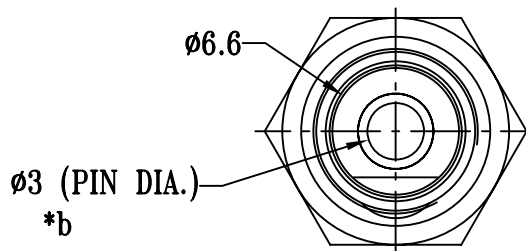
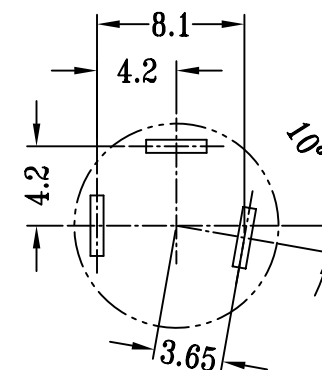
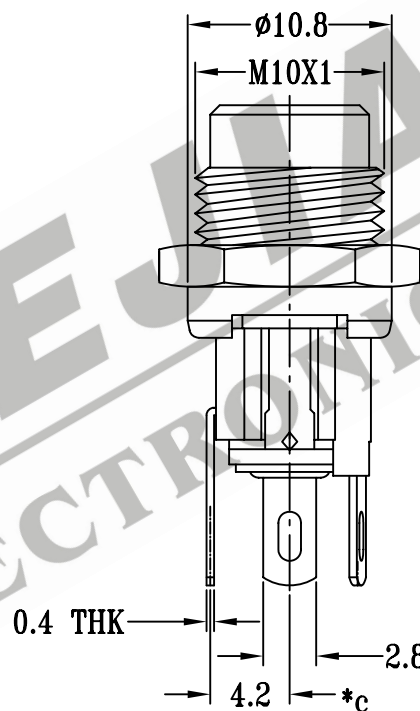
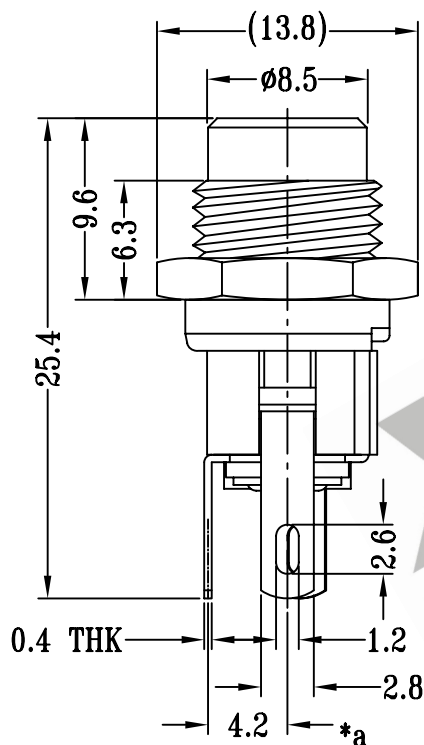


CAD FILE:



SCHMATIC



P.C.B LAYOUT

DIA. OF PIN 'G'=3.0mm

注：“*”表示关键尺寸（3个）

8	CASE	POM	1	BLACK	TOLERANCE UNLESS SPECIFIED	SHENZHEN XIEJIA ELECTRONICS CO.,LTD.					
7	PAPER WASHER	HARD PAPER	2	RED							
6	NUT	BRASS	1	Ni PLATED	WITHIN: 1.5±0.1mm OVER: 1.5±0.2mm	ISSUE	DATE	DESCRIPTIONS OF REVISION		APPD.	
5	SOCKET	BRASS	1	Ni PLATED							
4	PLUG PIN	BRASS	1	Ni PLATED	TITLE : DC POWER JACK	UNIT : mm	DRWG NO.: XJ-DR-DS048-00				
3	SPRING TERMINAL B	PBS STRIP	1	Ag PLATED OVER Ni PLATED							
2	TERMINAL C	PBS STRIP	1	Ag PLATED OVER Ni PLATED	MODEL: DS-048	SCALE: 5:2	DWN.	ZHOUYU	2005-3-7		
1	TERMINAL A	BRASS STRIP	1	Ag PLATED OVER Ni PLATED			CHK'D	FANGYING	2005-3-7		
NO.	PARTS	MATERIALS	Q'TY	FINISH	ALL MATERIALS MUST BE COMPLIANT TO ROHS				APPD.	KANGXINAN	2005-3-7